



SUPPLIER TO THE FOAM/COATINGS INDUSTRY SINCE 2004

MORSE GENERATORS

TIER 4 FINAL 40KW AND 40CFM DIESEL GENERATOR



MORSE

INDUSTRIAL EQUIPMENT

Our new Tier 4 Final Diesel Generator/Compressor Package features all the same great performance as our Tier 3 package but now in a Tier 4 emissions compliant version!

MODEL GC-40 AND GCRS40-40 T4F DIESEL GENERATOR

FEATURES:

- CUMMINS 3.8L Tier 4 Final Diesel Engine
- Diesel Exhaust Catalyst. No DEF Required
- Meets 2019 Emissions Standards
- High Temperature Coolant Shutdown
- Low Oil Pressure Shutdown
- Totally Enclosed Engine and Generator/Compressor Drive Sections
- Digital Interface for Engine parameters
- Cooler Exhaust Plenum Transition for Ease of Ducting Unwanted Heat
- 40kW Generator 220 Volt Rated at 134 amps Three Phase and 141 amps Single Phase
- Remote Mount Volt/Amp/Hertz Panel (wiring and external disconnect required)
- 2 Year/2000 Hour Engine Warranty Covered by CUMMINS*
- 1 Year Warranty on All Other Components

MODEL GCRS40-40 T4F OPTIONAL ROTARY SCREW AIR COMPRESSOR PACKAGE

- Air Compressor Mounted in Tandem with Generator Factory Set at 40 CFM at 125 PSI*
- Compressor Factory Filled with MORSE SCO-1000 Synthetic Oil Rated for 1000 Hour Interval Changes
- Belt Drive Adjustable Tensioner
- Air Cooled Oil Cooler with High Temperature Shutdown

*Engine registration must be initiated with CUMMINS by end user.

New Spin-on High-Efficiency Air-Oil Separator and Spin-on Oil Filter



Digital Interface for engine info: Engine Oil Pressure, Engine Coolant Temp, Engine Speed, Engine Battery Voltage, Engine hours Engine Diagnostic Engine Codes and More!

TIER 4 FINAL COMPLIANT

CUMMINS 3.8L Tier 4 Final Engine meets 2019 Emission Requirements which are Legal for Sale in All 50 U.S. States and Canada. Diesel Exhaust Catalyst, No DEF Required.

Triple Cooler Package
- Engine Radiator
- Compressor Cooler
- Charged Air Cooler
- Easily Removed for Cleaning



Full Shift Polypropylene 40 Gallon Fuel Tank. Easily removable for installation through a 42" door.



Easy access to all the engine major service points:

- Oil Filter
- Fuel Filter
- Fuel Pump
- Oil Dip Stick

Powder Coated Reinforced Steel Frame with Adjustable Mounting Locations

ENGINE 40KW PLUS 40CFM

MODEL GCRS-40-40 T4F DIMENSIONS

Note: Production Models May Vary From Illustrations

Panel enclosure mount can be detached here

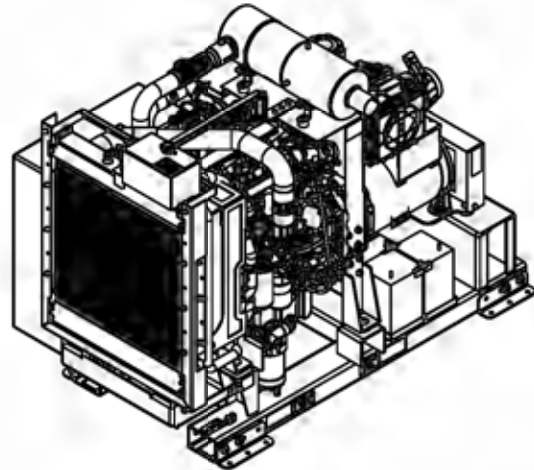
38.50*

Fuel tank can be taken off and mounting feet can be detached here

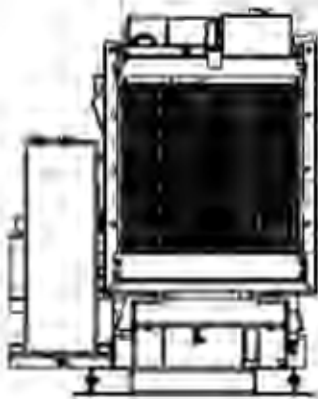


73.50

* This is the width of the machine with the fuel tank and controller enclosure removed



26.25 2.50



25.25

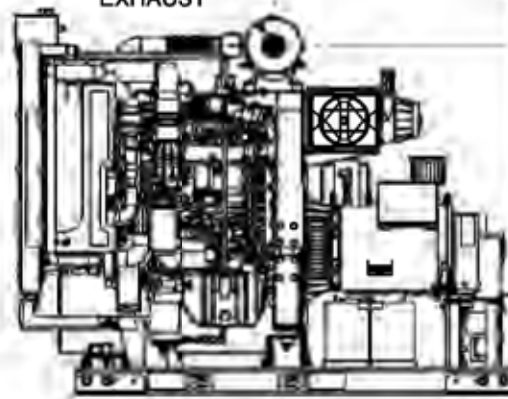
20.50

44.50

57.00

Ø 3.00 OD EXHAUST

35.25



51.35

WEIGHT GCRS-40 1770 LBS

GCRS-40-40 T4F 2070 LBS

*without fuel

For additional information, contact your authorized Morse Industrial Equipment Dealer



MADE IN THE USA

MORSE

INDUSTRIAL EQUIPMENT

www.morseindustrial.ca

P.O. Box 1519 Stn Main

Antigonish, Nova Scotia, Canada B2G 2L8

Ph. 647-393-1212 Fax: 902-867-6211