



the INFINITY 375

Module Abovedeck Hydraulic Drive Air Compressor

BIG ENOUGH TO HANDLE THE TOUGHEST JOBS...



Hydraulic motor shown (optional)

250 - 375 CFM AIR/DRILL MODULE ROTARY SCREW AIR COMPRESSOR

more air solutions at
BOSSair.com

BOSS[®]
engineered **AIR/POWER** systems

INFINITY 375

Module Above-deck Hydraulic Drive Air Compressor

FEATURES

The **BOSS® INFINITY 375** advanced design allows you the option to choose any CFM output from 250 to 375cfm. By simply adjusting hydraulic flow to the compressor, the system will produce up to 375cfm at 110psig continuously.

Now, when you need that extra boost, you have it.

The **BOSS INFINITY 375** drill module unit is fully self-contained and compact. This compact design make mounting possible even in tight spaces.

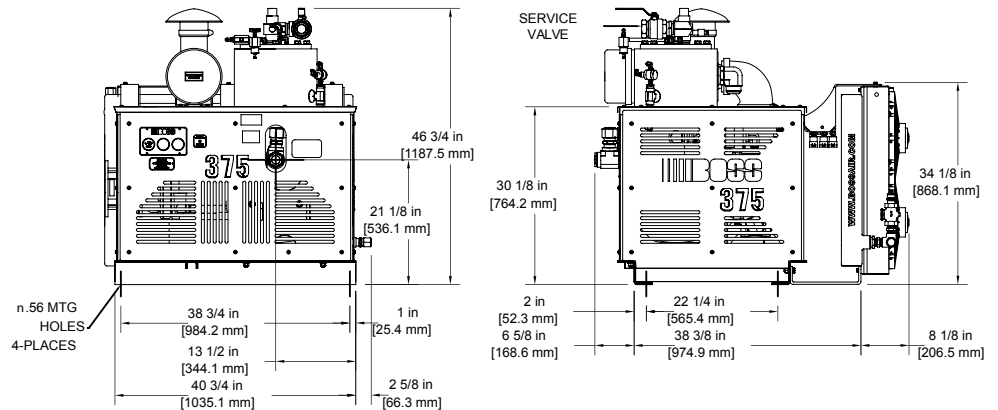
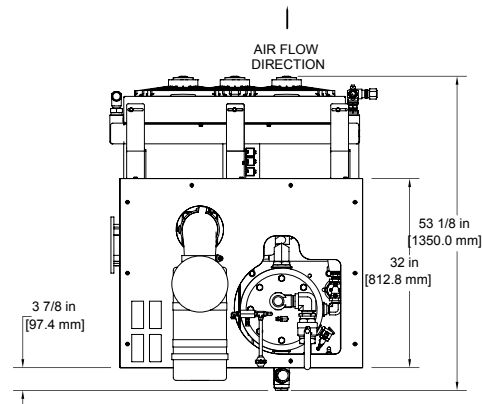
Installation is simple too. Just bolt the unit to the deck of your vehicle, connect your hydraulic system, add your hydraulic motor, wire to a 12vdc source and it's ready.

STANDARD EQUIPMENT

- Integrated compressor oil cooling package with automatic thermal sensing control to ensure proper operating temperatures
- Hydraulic motor (optional) directly coupled to geared air end
- Replaceable spin-on compressor lubricant filter with safety bypass and 25-micron rating
- Two-stage, dry-type air intake filter with replaceable element and gravity evacuator
- Instrumentation to include: hour meter, compressor lubricant temperature gauge and air pressure gauge
- Integrated receiver tank with filler port and drain hose with JIC plug
- All components are frame mounted, plumbed and wired
- Safety devices to included: minimum pressure device, compressor lubricant high temperature and high-pressure safety system, automatic blowdown device, high-pressure relief valve and necessary warning and information decals
- Optional hydraulic system oil cooling packages available upon request (recommended)
- 16 gauge steel powdered coated enclosure
- SAE C 4-bolt flange standard
- Two-year or Lifetime warranty on air end available

INFINITY 375 SPECIFICATIONS

Delivery	CFM	250	275	300	325	350	375	
100 PSI	Input speed rpm to compressor	RPM	1525	1700	1850	2000	2150	2300
	HP Required	HP	54	60	65	72	78	85
150 PSI	Input speed rpm to compressor	RPM	1560	1711	1861	2012	2163	N/A
	HP Required	HP	71.2	77.8	84.4	91	97.6	N/A
200 PSI	Input speed rpm to compressor	RPM	1606	1750	1920	N/A	N/A	N/A
	HP Required	HP	85	92	101	N/A	N/A	N/A
Fluid capacity (Approx.)		8.0 gallons						
Compressor Module		53.125" W x 53.125" H x 43.375" L						
Weight (Wet)		1225 pounds						



INFINITY 375 dimensions



BOSS INDUSTRIES, LLC.

1761 Genesis Drive La Porte, IN 46350
 Voice: (219) 324-7776 • (800) 635-6587 • Fax: (219) 324-7470
 Electronic: www.bossair.com • email: sales@bossair.com

DISTRIBUTED BY:

Specifications subject to change without notice.

©2020 Boss Industries, Inc. Printed In U.S.A. INFINITY 375. 250. 02/10/2020. BI