



VRU

the TYCOON Series

100HP -150HP Electric Motor Driven Packages

The Perfect Solution for Natural Gas Emissions



(150 HP Shown)



(100 HP Shown)

100%
CAPTURED

0%
TO ATMOSPHERE

High Reliability. Big Returns.

Capturing natural gas emissions from oil field stock tanks has never been this easy and financially rewarding!

By meeting all of the Environmental Protection Agency (EPA) regulations, you are not only capturing the illegal Volatile Organic Compounds (VOC's), but you are also able to re-sell the captured gases allowing the Vapor Recovery Unit (VRU) to pay for itself! Featuring our automated precision monitored control system with integrated blanket gas management, these VRU's are suited to accommodate the tight control needed to maintain the low pressure range of vapor recovery.

- Low Maintenance
- Designed to Run Unattended
- Very Effective for Handling Wet Gas
- Electric Motor Driven (Class 1 Division 2 Group D)
- Smooth and Quiet Operation
- No Special Foundation Required
- Electric Motor
- Single Stage, Rotary Screw Compressor
- Stainless Steel Hoses / Tubing
- Full Flow Compressor Oil Filter
- Compressor Oil Thermal By-Pass Valve
- Compressor Separation Receiver Tank
- Inlet Gas Scrubber/Blowcase with Filter Element & Auto Dump System
- Compressor Oil Cooler / After Cooler
- Heavy Duty Skid Frame with Environmental Containment Pan
- Rust Resistant Electrostatic Powder Coat Finish

more VRU solutions at
BOSScompression.com





electric motor

Compressor Oil Cooler/Aftercooler

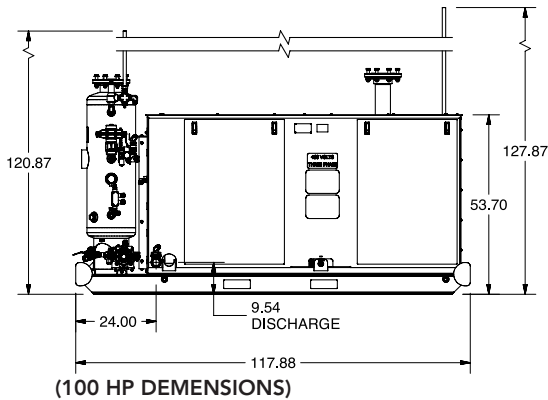
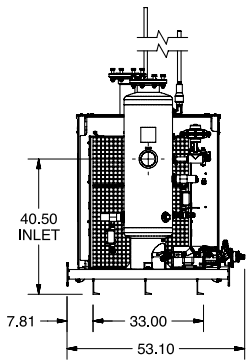
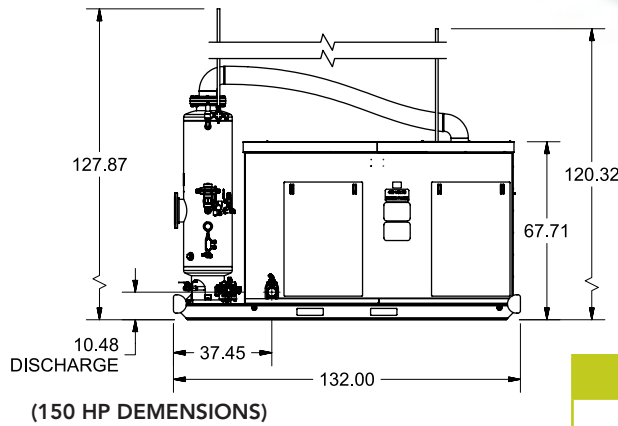
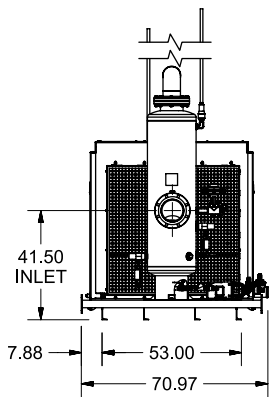
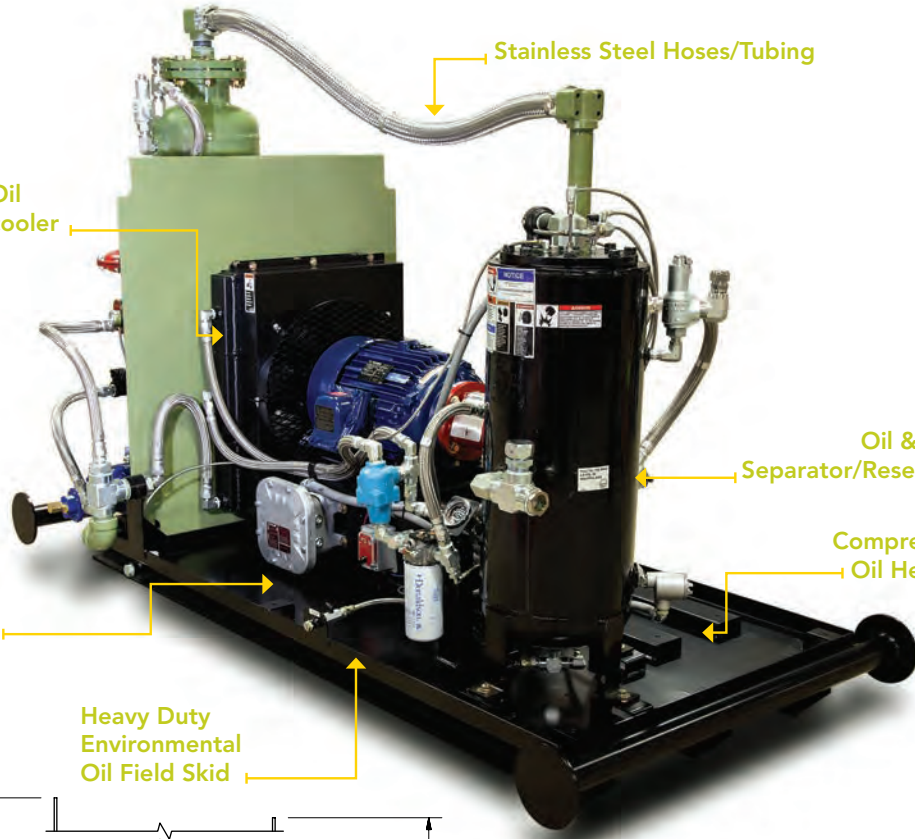
Stainless Steel Hoses/Tubing

Oil & Gas Separator/Reservoir

Compressor Oil Heater

Class 1 Div 2 Junction Box

Heavy Duty Environmental Oil Field Skid



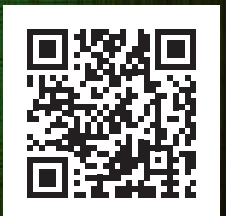
COMPRESSOR DATA			
MODEL	100-14D	150-14G	150-14G ME
CAPACITY @ 0 PSI SUCTION	500MSCFD	650MSCFD	400MSCFD
CAPACITY @ 50 PSI SUCTION	N/A	N/A	1.5MMSCFD
MOTOR	100HP	150HP	150HP
INLET NPT	4"	8" FLANGE	8" FLANGE
DISCHARGE NPT	2"	3"	3"
WEIGHT	4,200LBS	6,500LBS	6,700LBS



1761 Genesis Drive
LaPorte, IN 46350

Voice: 1.800.635.6587 | Fax: 219.324.7470

Web: www.bosscompression.com
Email: sales@bosscompression.com



START HERE

Specifications subject to change without notice.

©2019 Boss Industries, LLC. Printed In U.S.A. 10-75hpTycoon Series. 100. 02/27/19. BI