



**ROTARY
SCREW**

BULLET D

Rotary Screw Air Compressor

BIG ENOUGH TO HANDLE THE TOUGHEST JOBS...



PERFECT FOR A 90LB. JACK HAMMER!

more air solutions at

BOSSair.com

BOSS®

engineered **AIR** systems

BULLET D

Rotary Screw Air Compressor - Diesel Engine Driven Skid Mount

COMPACT DESIGN

The BOSS® *Bullet D* is a compact, strategically designed system which integrates all major components on to a single frame, enclosed in a tough, weather-resistant canopy.

The *Bullet D* design provides output of up to 80cfm at 100psi.

Because it measures just 20" wide x 48" long x 40" high and only weighs TBDlbs, the *Bullet D* can be set on any class truck with minimal effect on load capacity and visibility. It is narrow enough to fit into standard industrial gates and doorways, as well as service elevators for high rise or underground construction. The width of the *Bullet D* makes it ideal for mounting on top of a 20" wide service body compartments.

ROTARY SCREW DEPENDABILITY

The heart of the BOSS *Bullet D* compressor is the rotary screw air-end. Rotary screw compression is ideal for this application because it provides constant air flow and pressure, regardless of the amount of time it takes to get the job done. This eliminates the need for an air storage tank, there is no waiting for the system to "catch-up".

DIESEL ENGINE PERFORMANCE

Strong, dependable, efficient, all the words you want to hear when choosing the right product for the right job. When performance matters, choosing the right air compressor and paired with the right engine makes all the difference, that's why we choose the KUBOTA Water Cooled Final Tier 4 engine.

COMPRESSOR OPTIONS

- Dual Pressure
- Remote Start/Stop
- 6.0 kW Generator
- Deduct Battery/Fuel Cell Option
- Trailer

ENGINE

Type	KUBOTA D902-E3B Final Tier 4, Vertical 4-cycle, Water Cooled Diesel Engine
Engine Warranty	2 years/2,000 Hours
Power (@3600 rpm)-hp	24.8
Displacement-cu. in3.	54.8 Cubic Inches
Bore-in., Stroke-in.	2.83" x 2.90"
Oil pan capacity	.98 Gal.
Battery Rating Volts	12v - 580CCA @ 0°F
Fuel tank capacity	8 gallons

COMPRESSOR

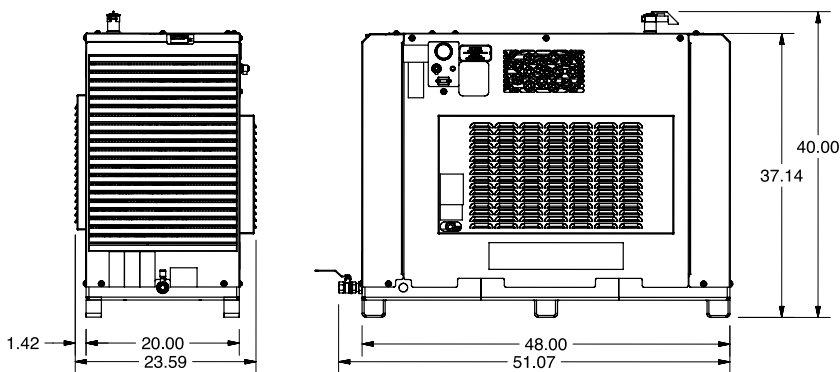
Type	Oil Flooded Rotary Screw
Rated Delivery	80cfm
Rating Operating Pressure	100psig*
Operating Pressure Range	80 - 115psig
Max. Operating Temp.	+100° F
Oil Sump Capacity	2.0 gallons
Air Service Connection	One 3/4" NPT

GENERAL INFORMATION

(Metrics in Parenthesis)

Weight	TBDlbs (TBDkg) Dry
Dimensions	48.0" L x 20.0" W x 40.0" H

Bullet D with Fuel Tank (standard)



SERVICE NOTE:

Minimum Fresh Air Clearance is 8" all four sides.



DISTRIBUTED BY:

BOSS INDUSTRIES, LLC.

1761 Genesis Drive LaPorte, IN 46350

Voice: (219) 324-7776 • (800) 635-6587 • Fax: (219) 324-7470

Electronic: www.bossair.com • email: sales@bossair.com

Specifications subject to change without notice.

©2018 Boss Industries, LLC. Printed In U.S.A. Bullet D. TEMP. 021318. BI